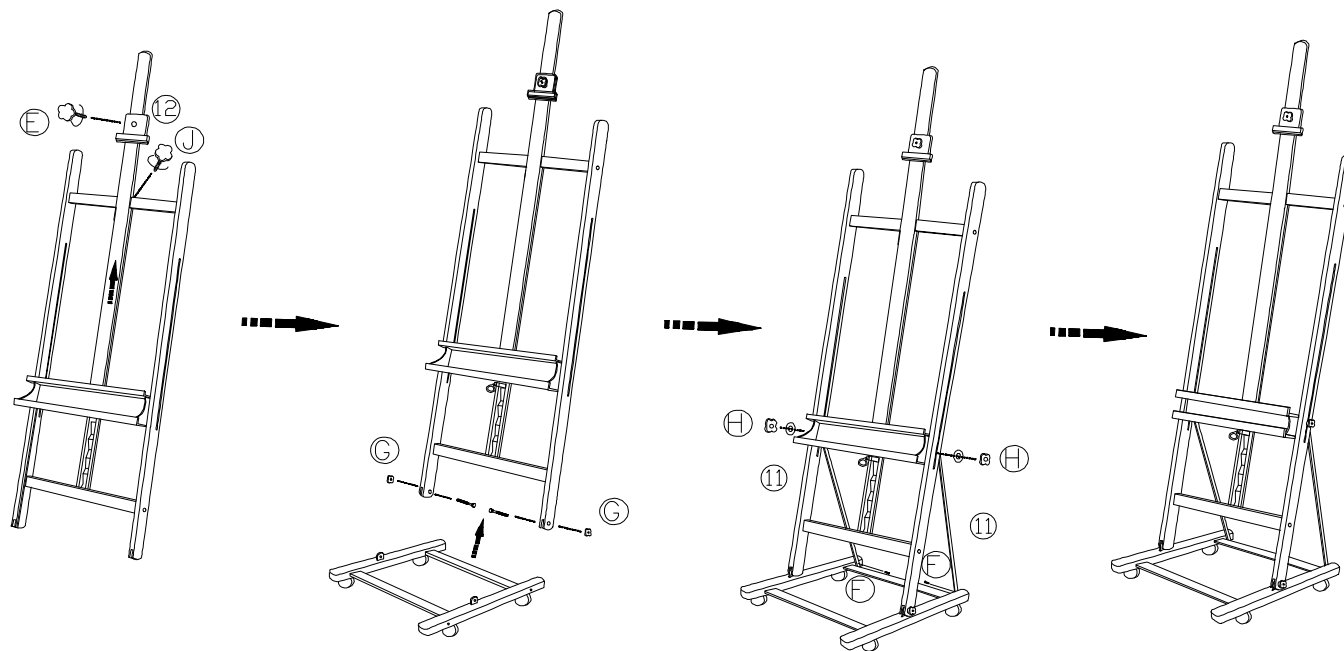
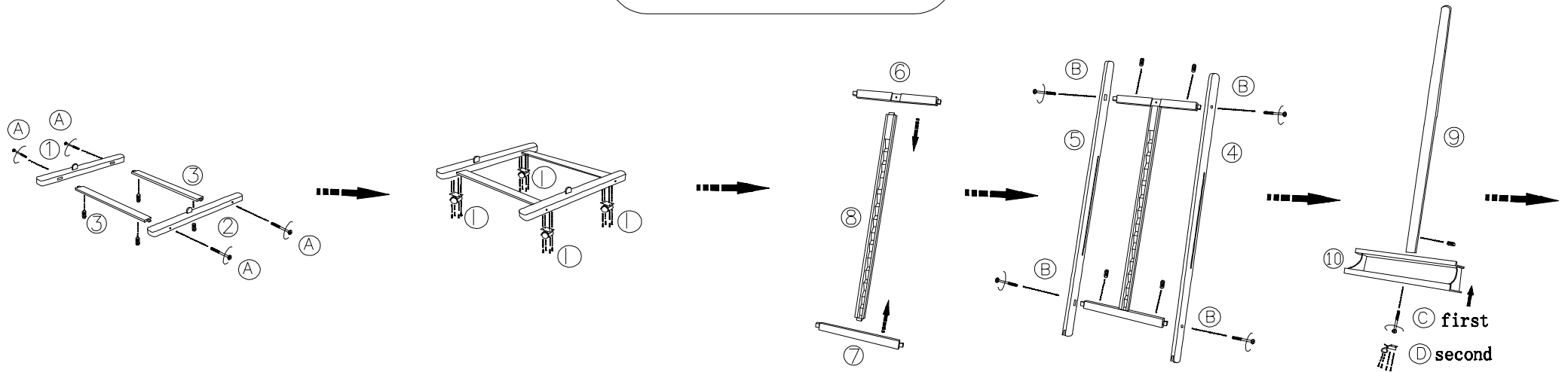


Assembling Instruction For W02

Assembling Steps



No	Quantity	No	Quantity	Hardwares
①	1pc	Ⓐ	4pcs	
②	1pc	Ⓑ	4pcs	
③	2pcs	Ⓒ	1pc	
④	1pc	Ⓓ	1pc	
⑤	1pc	Ⓔ	1pc	
⑥	1pc	Ⓕ	2pcs	
⑦	1pc	Ⓖ	2pcs	
⑧	1pc	Ⓗ	2pcs	
⑨	1pc	Ⓛ	4pcs	
⑩	1pc	Ⓜ	1pc	
⑪	2pcs			
⑫	1pc			